



ENGINE MODEL
GROSS POWER
OPERATING WEIGHT

WEICHAİ WP7G270E302
199kW @ 2200rpm
18500kg

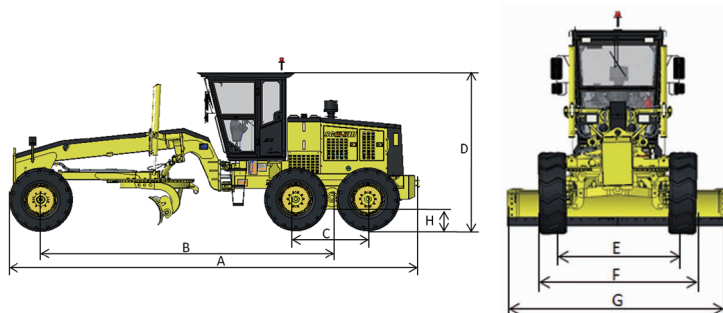
NG270

MOTOR GRADER

NG270 TECHNICAL PARAMETERS

ENGINE	
Model	Weichai WP7G270E302
Number of cylinders	6
Type	4-cycle, Electronic injection, water-cooled
Aspiration	Turbocharged, air-air intercooled
Bore x stroke	108*136mm
Displacement	7.47L
Gross power	199kW @ 2200rpm
Max. traction	97kN
Max. torque	1100N.m @ 1300-1500rpm
Rated fuel consumption	200g/kW.h
Air cleaner	3-stage, dry type
POWER TRAIN	
Transmission	Fixed-axis type, electro-hydraulic control
Torque converter	Single-stage, single-phase, three basic elements
Rear axle	Modular, planetary reduction, "no-Spin" anti-skid differential
Tandem drive	Roller chain. Oscillating angle: ±15°
Tire	20.5-25PR16
Front axle	Solid bar construction with oscillation about the central mounting pin Oscillating angle: ±15° Tilting angle: ±17°
STEERING	
Type	Hydraulic power
Front wheel steering angle	±45°
Articulation angle	±25°
Min. turning radius	8600mm
BRAKES	
Service brake	Drum type, foot-operated, single circuit, hydraulically actuated on four tandem wheels
Parking brake	Drum type, manually actuated
MOLDBOARD	
Type	Hydraulic power, replaceable cutting edges, hardened cutting edges and end bits
Rotation	360°
Blade width	3965/4270mm
Blade height	635mm
Blade thickness	20mm
Blade tip angle	27~73°
Max. cutting depth	500mm
Max. lifting height	440mm
Blade side shift (left/ right)	650/700mm
Max. shoulder reach (left/right)	2355/2410mm
Max. tilting angle (left/right)	90°
SPEED	
Forward, 1-6	5.8\10.0\13.2\22.7\28.5\46.9km/h
Reverse, 1-3	5.8\13.2\28.5km/h
HYDRAULICS	
Tandem pump	Gear pump. 28ml/r
Overflow pressure for working equipment	16MPa

CAPACITIES	
Fuel tank	340L
Hydraulic oil tank	110L
Engine crank case	19L
Engine coolant	33L
ELECTRICAL SYSTEM	
Battery	2x12V, 105Ah
Alternator	28V, 70A
Starter motor	24V, 6kW
OPERATING WEIGHT	
Standard	18500kg
With rear ripper	18800kg
With front blade	19100kg
With front blade & rear ripper	19400kg
RIPPER (OPTIONAL)	
Ripping depth	320mm
Shank holders	5
Shank holder spacing	500mm
Working width	2085mm
FRONT BLADE (OPTIONAL)	
Width x Height	2740x930mm
Thickness	10mm
Max. lifting height	500mm
Max. digging depth	210mm



DIMENSIONS	
Overall length: Standard	9445mm
Overall length: With rear ripper	10049mm
A Overall length: With front blade	10437mm
Overall length: With front blade & rear ripper	11041mm
B Length: Front axle to mid tandem	6560mm
C Length: Between tandem axles	1720mm
D Height: Cab	3560mm
E Tread	2270mm
F Width: Outside tires	2790mm
G Blade width	3965/4270mm
H Minimum ground clearance	500mm