

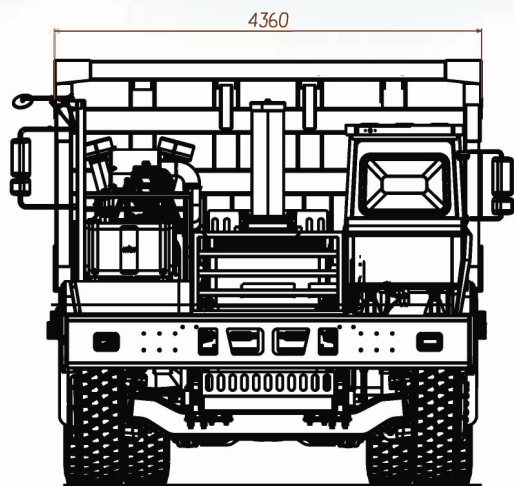
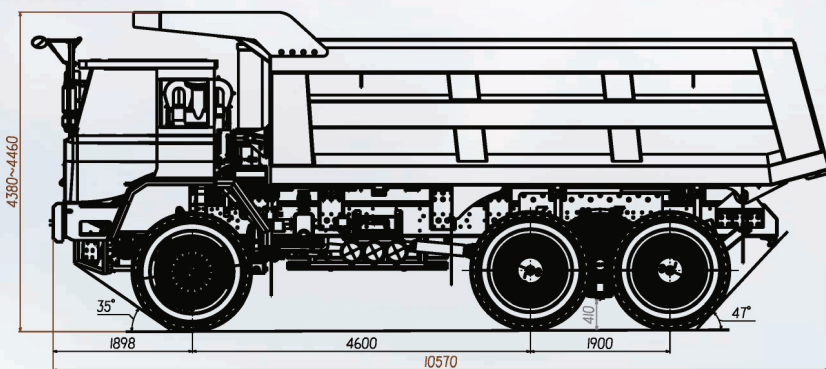
**NASR** MACHINE  
INTERNATIONAL





# Configuration

# NASR MACHINE INTERNATIONAL



Configuration					
Parameters of complete vehicle	Product name	MINING DUMP TRUCK	Radiator	Structure	Plate-fin radiator
	Product model	NT 120	Fuel system	Capacity (L)	1000L aluminum alloy fuel tank
	Complete vehicle total mass (t)	160	Steering system	Power steering type	Full hydraulic steering
	Payload mass (t)	100		System pressure (MPa)	17.5
	Outline dimension (length x width x height) (mm)	10570x4360x4460		Flow (L/min)	40
	Wheel base (mm)	4600+1900	Brake system	Service brake	Double circuit drum air brake
	Tread (mm)	3080 (front 3342)		Parking brake	Spring energy-storage shut-off brake and emergency brake
	Approach angle (°)	30		Auxiliary brake	Engine exhaust brake + WEVB
	Departure angle (°)	45.5		System pressure (bar)	10
	Maximum speed (km/h)	43	Suspension	Parking slope (°)	30 (uphill)/20 (downhill)
	Maximum gradeability (%)	29		Front	Front and rear dual-sliding plate+thrust rod structure + dual shock absorber
	Minimum turning diameter (m)	31		Leaf spring thickness/width/number	22/100/15
	Minimum ground clearance (mm)	450 (no load)		Rear	Leaf spring balanced suspension
Axle load	Full load (t)	35/60/60	Leaf spring thickness/width/number	36/120/15	
	Model	WEICHAH WP17G770E302	Dump lifting mechanism	Type	Front-lifting
Power (kW) /rotation speed (r/min)	566/1900	Rated pressure (Mpa)		20	
Torque (N*m) /speed (rpm)	3000/ (1200-1500)	Maximum dumping angle (°)		46	
Clutch	Model	Imported dual-plate clutch	Cab	Type	Single side, left hand, semi-floating, narrow-body cab
Transmission	Model	FAST 8DSS330		Vibration reduction seat	Up and down, forward and backward adjustable, backrest angle adjustable
	Drive axle	Maximum input torque (N.m)	3300	Frame	Type
Type		Central and wheel side planetary double-stage speed reduction with inter-axial differential lock	Cargo box	Carriage capacity (m3) (flush)	50
Total speed ratio		21398/22.551		Plate thickness	D20(nm400) B14(nm400)
Rated axle load (t)		60	Wheel	Tire model	480/95R29 ★★★
Brake form	Cam drum brake	Rim model		13.00-29	
Front axle	Rated axle load (t)	35	Electrical system	Power supply	24V single line, negative grounded
	Brake form	Cam drum brake		Starting mode	Key switch
Air filter assembly	Model	Dry type air filter	Others	Optional device	Reversing image, 360° around view